



PROJECT: _____
 ITEM # _____ QTY: _____
 MODEL # _____
 AIA # _____ SIS # _____

WORKTOP FREEZER

WORKTOP FREEZER

VWF48HC



EXCLUSIVE WARRANTY

- ▶ 7 Year Parts, Labor and Compressor
- ▶ Exclusive 2 Year Warranty On Magnetic Door Gaskets
- ▶ Lifetime Warranty On Handles & Hinges (parts only)



CABINET CONSTRUCTION

- Stainless Steel Exterior (galvanized back & bottom)
- Aluminum Interior
- Stainless Steel 20 Gauge Door
- 4" High, Foamed-In-Place Backsplash
- One Piece, Snap-In Magnetic Door Gaskets
- 6" Casters
- 8' Cord And Plug (see electrical data for details)

FEATURES

- Full Electronic Control
- Stay-Open Door Feature For Easy Product Loading
- Heavy-Duty Spring-Loaded Cartridge Hinges
- Low Profile Horizontal Door Handles
- Epoxy Coated Shelves (2 per section)

REFRIGERATION

- Refrigeration System Uses R-290 Refrigerant To Comply With All Environmental Concerns
- Rear Mounted Refrigeration System
- Adaptive Defrost For Reduced Energy Consumption And More Consistent Product Temperatures
- Epoxy Coated Evaporator Coil
- Freezer Capable Of Maintaining Product Temperature -10°F



Please Verify Qualifying Units By Visiting:
www.energystar.gov/cfs

OPTIONS & ACCESSORIES

- | | | |
|---|--|---|
| • Stainless Steel Interior | • Additional Shelves | • Remote Models* (6" legs only)
(refrigerant must be specified at time of order, see note on back on page) |
| • Stainless Steel Back | • Shelf Clips (set of 4) | |
| • Door Locks | • 6" Legs Or 6" Seismic Legs | |
| • Door Swing Orientation (at time of order) | • Casters: 3", Roller Kit, Low Profile | |
| • Cutting Board | • Correctional Package | |

3779 Champion Blvd, Winston-Salem, NC 27105

ph: (888) 845-9800 | fax: (800) 253-5168

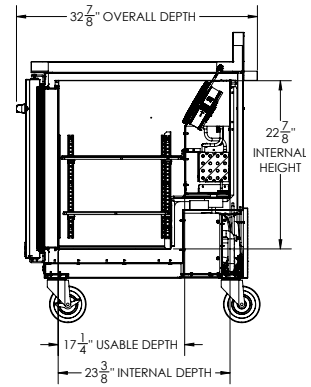
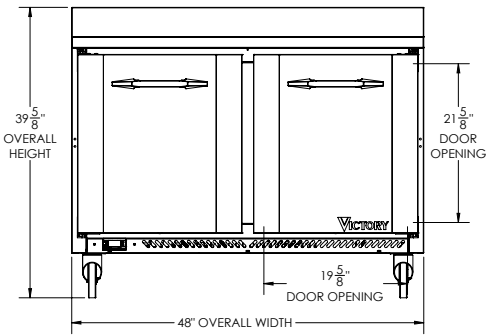
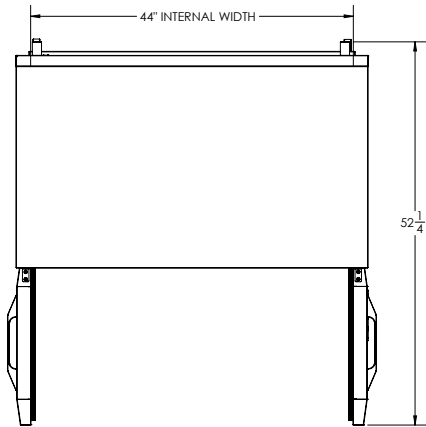
Sales@VictoryRefrigeration.com | VictoryRefrigeration.com

Rev. 7/18/24 Printed in U.S.A.

APPROVAL: _____ DATE: _____

VICTORY WORKTOP FREEZER

VWF48HC



We reserve the right to change specifications and product design without notice. Such revisions do not entitle the buyer to corresponding changes, improvements, additions or replacements for previously purchased equipment. Dimensional tolerances +/- 1/4". Metric dimensions (MM)

3" Bottom & 2" Rear clearance is required

CHARACTERISTICS		ELECTRICAL DATA		SHIPPING DETAILS	
Net Capacity (cubic ft.)	11.04	Cabinet Voltage	115/60/1	Height	48"
Width, Overall (in.)	48"	Total Amperes	5.0	Width	51"
Depth, Overall (with handle)	32 7/8"	NEMA Plug (8' cord)	5-15P	Depth	38"
Height Overall (6" casters)	39 5/8"	REFRIGERATION DATA		Crated Weight	322 lbs
Depth, Door Open 90°	52 1/4"	Condensing Unit Size, HP	1/2	*NOTE: Remote units are field wired and comes with 6" legs. Refrigerant must be specified at time of order.	
Door Openings (in.)	19 5/8" x 21 5/8"	Refrigerant*	R-290		
No. Of Doors/Shelves	2/4	Capacity (BTU/HR) (100°F/-20°F)	1865		
		Heat Rejection (BTU/HR)	2797.5		
		Charge (lbs/grams/ounces)	0.165 / 75 / 2.64		

3779 Champion Blvd, Winston-Salem, NC 27105 | ph: (888) 845-9800 | fax: (800) 253-5168

Sales@VictoryRefrigeration.com | VictoryRefrigeration.com

Rev. 7/18/24 Printed in U.S.A.