



PROJECT: _____
 ITEM # _____ QTY: _____
 MODEL # _____
 AIA # _____ SIS # _____

SANDWICH PREP REFRIGERATOR WITH DRAWERS

SANDWICH PREP REFRIGERATOR WITH DRAWERS

VSPD60HC-24B-2



EXCLUSIVE WARRANTY

- ▶ 7 Year Parts, Labor and Compressor
- ▶ Exclusive 2 Year Warranty On Magnetic Door Gaskets
- ▶ Lifetime Warranty On Handles & Hinges (parts only)



CABINET CONSTRUCTION

- Stainless Steel Exterior (galvanized back and bottom)
- Aluminum Interior
- Hinged, Insulated Flat Lift Up-Lid
- One-Piece, Snap-In Magnetic Door/Drawer Gaskets
- Heavy-Duty Pan Liner
- 8' Cord And Plug (see electrical data for details)

REFRIGERATION

- Refrigeration System Uses R-290 Refrigerant To Comply With All Environmental Concerns
- Rear Mounted Refrigeration System
- Adaptive Defrost For Reduced Energy Consumption And More Consistent Product Temperatures
- Epoxy Coated Evaporator Coil
- Refrigerator Capable Of Maintaining Product Temperature 36°F To 38°F

FEATURES

- Full Electronic Control
- Low Profile Horizontal Door/Drawer Handles
- Cartridge Style Hinges
- Epoxy Coated Shelves (2 per section)
- Top Accommodates Up To 6" Deep Food Service Pans With Locking Divider Bars
- Heavy-Duty Stainless Steel Drawer Frames
- Telescoping Drawers Slides With Locking Mechanism
- Accommodates 6" Deep Food Service Pans In Both Upper And Lower Drawers (pans not included)
- 10" Cutting Board Constructed Of White Polyethylene Plastic
- 6" Casters Two With Brakes



Please Verify Qualifying Units By Visiting:
www.energystar.gov/cfs

OPTIONS & ACCESSORIES

- | | | |
|---|--|---|
| • Stainless Steel Interior | • Single Or Double Overshelf Kit | • 12 Pan cover |
| • Stainless Steel Back | • Silver Freeze Shelves (chrome style) | • 6" Legs Or 6" Seismic Legs |
| • Door/Drawer Locks | • Shelf Divider | • Casters: 3", Roller Kit, Low Profile |
| • Door Swing Orientation (at time of order) | • Front or Side Crumb Catcher | • Correctional Package |
| • Exterior Door Laminate | • 12" Cross Bar | • Remote Models* (6" legs only)
(refrigerant must be specified at time of order, see note on back on page) |
| • Garnish Rack (full & half pan) | • Roll Top Cover | |

3779 Champion Blvd, Winston-Salem, NC 27105

ph: (888) 845-9800 | fax: (800) 253-5168

Sales@VictoryRefrigeration.com | VictoryRefrigeration.com

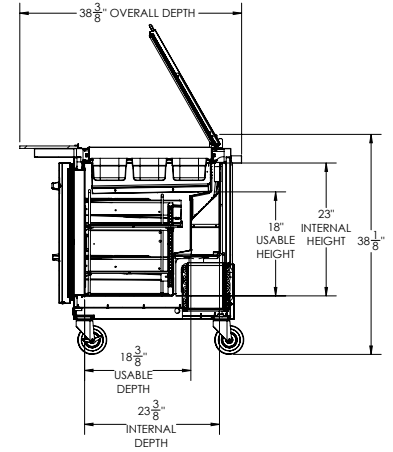
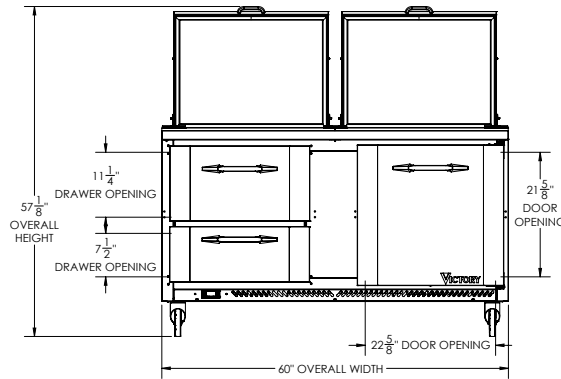
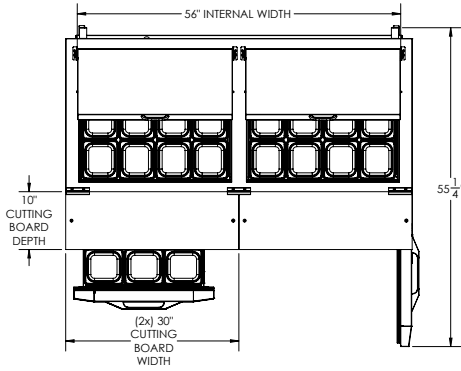
Rev. 7/1/24 Printed in U.S.A.

APPROVAL: _____ DATE: _____

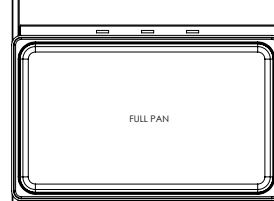


SANDWICH PREP REFRIGERATOR WITH DRAWERS

VSPD60HC-24B-2



Drawer Configurations



We reserve the right to change specifications and product design without notice. Such revisions do not entitle the buyer to corresponding changes, improvements, additions or replacements for previously purchased equipment. Dimensional tolerances +/- 1/4". Metric dimensions (MM)

2" Bottom & 2" Rear clearance is required

CHARACTERISTICS		ELECTRICAL DATA		SHIPPING DETAILS	
Net Capacity (cubic ft.)	16.0	Cabinet Voltage	115/60/1	Height	49"
Width, Overall (in.)	60"	Total Amperes	5.4	Width	63"
Depth, Overall (with handle)	38 3/8"	NEMA Plug (8' cord)	5-15P	Depth	38"
Height Overall (6" casters)	57 1/8"	REFRIGERATION DATA		Crated Weight	452 lbs
Depth, Door Open 90°	55 1/4"	Condensing Unit Size, HP	1/3	*NOTE: Remote units are field wired and come with 6" legs. Refrigerant must be specified at time of order.	
Door Opening (in.)	22 5/8" x 21 5/8"	Refrigerant*	R-290		
Drawer Openings (in.)	22 5/8" x 7 1/2" 22 5/8" x 11 1/4"	Capacity (BTU/HR) (100°F/20°F)	2291		
No. Of Doors/Shelves/Drawers	1/2/2	Heat Rejection (BTU/HR)	3436.5		
No. Of Pans	24	Charge (lbs/grams/ounces)	0.2095 / 95 / 3.35		

3779 Champion Blvd, Winston-Salem, NC 27105 | ph: (888) 845-9800 | fax: (800) 253-5168

Sales@VictoryRefrigeration.com | VictoryRefrigeration.com

Rev. 7/1/24 Printed in U.S.A.

