



PROJECT: \_\_\_\_\_  
 ITEM # \_\_\_\_\_ QTY: \_\_\_\_\_  
 MODEL # \_\_\_\_\_  
 AIA # \_\_\_\_\_ SIS # \_\_\_\_\_

PIZZA PREP TABLE

# PIZZA PREP TABLE

## VPP60HC



### EXCLUSIVE WARRANTY

- ▶ 7 Year Parts, Labor and Compressor
- ▶ Exclusive 2 Year Warranty On Magnetic Door Gaskets
- ▶ Lifetime Warranty On Handles & Hinges (parts only)



### CABINET CONSTRUCTION

- Stainless Steel Exterior (galvanized back and bottom)
- Aluminum Interior
- 22 Gauge Stainless Steel Top
- Hinged, Insulated, Removable Flat Lift-Up Lid
- One-Piece, Snap-In Magnetic Door Gaskets
- Heavy-Duty Aluminum Pan Liner
- 8' Cord And Plug (see electrical data for details)

### FEATURES

- Full Electronic Control
- Chrome Lift Off Hinges
- Low Profile Horizontal Door Handles
- Epoxy Coated Shelves (2 per section)
- Stay-Open Door Feature For Easy Product Loading
- Top Accommodates Up To 6" Deep Food Service Pans (pans not included)
- Removable 19" Wide Cutting Board
- 3" Casters Two With Locks

### REFRIGERATION

- Refrigeration System Uses R-290 Refrigerant To Comply With All Environmental Concerns
- Side Mounted Refrigeration System For Serviceability
- Adaptive Defrost For Reduced Energy Consumption And More Consistent Product Temperatures
- Epoxy Coated Evaporator Coil
- Refrigerator Capable Of Maintaining Product Temperature 36°F To 38°F



Please Verify Qualifying Units By Visiting:  
[www.energystar.gov/cfs](http://www.energystar.gov/cfs)

### OPTIONS & ACCESSORIES

- |                            |  |  |
|----------------------------|--|--|
| • Stainless Steel Interior | • Shelf Clips                            | • Compressor On Left (specify at time of order)                            |
| • Stainless Steel Back     | • Single & Double Overshelf Kit          | • Remote Models* (6" legs only)  |
| • Exterior Door Laminate   | • Bun Tray Rack (per door)               | (refrigerant must be specified at time of order, see note on back on page) |
| • Door Lock                | • Tray Slide Kit                         |  |
| • Additional Shelves       | • 6" Casters, 6" Legs Or 6" Seismic Legs |  |

3779 Champion Blvd, Winston-Salem, NC 27105

ph: (888) 845-9800 | fax: (800) 253-5168

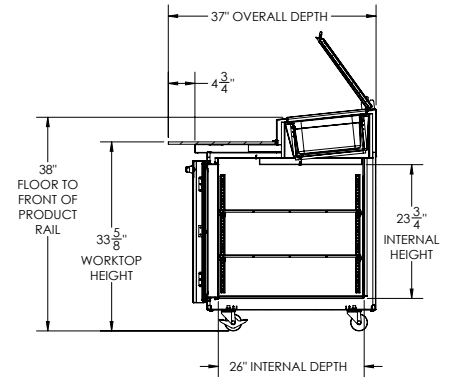
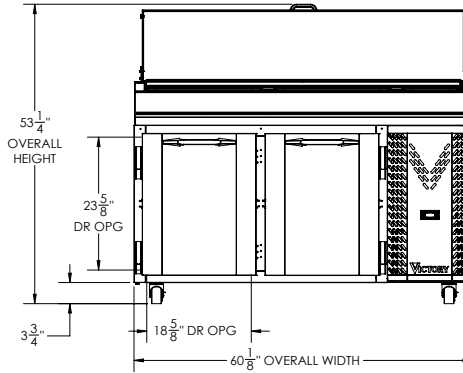
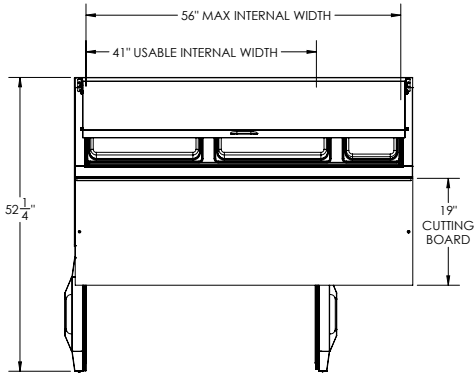
Sales@VictoryRefrigeration.com | VictoryRefrigeration.com

Rev. 7/1/24 Printed in U.S.A.

APPROVAL: \_\_\_\_\_ DATE: \_\_\_\_\_

# VICTORY PIZZA PREP TABLE

## VPP60HC



We reserve the right to change specifications and product design without notice. Such revisions do not entitle the buyer to corresponding changes, improvements, additions or replacements for previously purchased equipment. Dimensional tolerances +/- 1/4". Metric dimensions (MM)

2" Bottom & 2" Rear clearance is required

CHARACTERISTICS		ELECTRICAL DATA		SHIPPING DETAILS	
Net Capacity (cubic ft.)	17.76	Cabinet Voltage	115/60/1	Height	48"
Width, Overall (in.)	60 1/8"	Total Amperes	4.5	Width	66"
Depth, Overall (with cutting board)	37"	NEMA Plug (8' cord)	5-15P	Depth	45"
Height Overall (with casters)	53 1/4"	REFRIGERATION DATA		Crated Weight	410 lbs
Depth, Door Open 90°	52 1/4"	Condensing Unit Size, HP	1/2	*NOTE: Remote units are field wired and come with 6" legs. Refrigerant must be specified at time of order.	
Door Openings (in.)	18 5/8" x 23 5/8"	Refrigerant*	R-290		
No. Of Doors/Shelves	2/4	Capacity (BTU/HR) (100°F/20°F)	2940		
		Heat Rejection (BTU/HR)	4410		
		Charge (lbs/grams/ounces)	0.231 / 105 / 3.70		

3779 Champion Blvd, Winston-Salem, NC 27105 | ph: (888) 845-9800 | fax: (800) 253-5168

Sales@VictoryRefrigeration.com | VictoryRefrigeration.com

Rev. 7/1/24 Printed in U.S.A.