

# VICTORY<sup>®</sup>

## ULTRASPEC

PROJECT: \_\_\_\_\_

ITEM # \_\_\_\_\_ QTY: \_\_\_\_\_

MODEL # \_\_\_\_\_

AIA # \_\_\_\_\_ SIS # \_\_\_\_\_

### BOTTOM MOUNT GLASS DOOR DISPLAY FREEZER

## LSF23HC-1



#### EXCLUSIVE WARRANTY

- ▶ 7 Year Parts, Labor and Compressor
- ▶ Exclusive 2 Year Warranty On Magnetic Door Gaskets
- ▶ Lifetime Warranty On Handles & Hinges (parts only)

#### CABINET CONSTRUCTION

- Stainless Steel Exterior (galvanized back)
- Aluminum Interior
- LED Lighting
- High-Performance, Balanced, Bottom-Mounted Refrigeration
- Triple-Pane Glass Door
- Spring-Loaded Hinge With Stay-Open Door Feature For Easy Product Loading
- One-Piece, Snap-In Magnetic Door Gasket
- Door Lock Standard
- Five (5) Heavy-Duty Epoxy Coated Shelves
- 6" Overall Height Casters Standard
- Field Reversible Door (hinge kit not included)
- 8' Cord And Plug (see electrical data for details)

#### FEATURES

- Full Electronic Control
- Expansion Valve Technology
- Anti-Condensate Door Perimeter Heaters

#### REFRIGERATION

- Refrigeration System Uses R-290 Refrigerant To Comply With All Environmental Concerns
- Hot Gas Condensate Evaporator
- Adaptive Defrost For Reduced Energy Consumption And More Consistent Product Temperatures
- Epoxy Coated Evaporator Coil
- Freezer Capable Of Maintaining Product Temperature 0°F



BOTTOM MOUNT GLASS DOOR DISPLAY FREEZER



Please Verify Qualifying Units By Visiting:  
[www.energystar.gov/cfs](http://www.energystar.gov/cfs)

#### OPTIONS & ACCESSORIES

- Stainless Steel, Black Or White Interior
- Custom Color Cabinet
- Electronic Lock Models
- Door Swing Orientation (at time of order)
- Additional Shelves
- 3" Casters Or 6" Seismic Legs
- Remote Models\* (6" legs only)  
 (refrigerant must be specified at time of order, see note on back page)

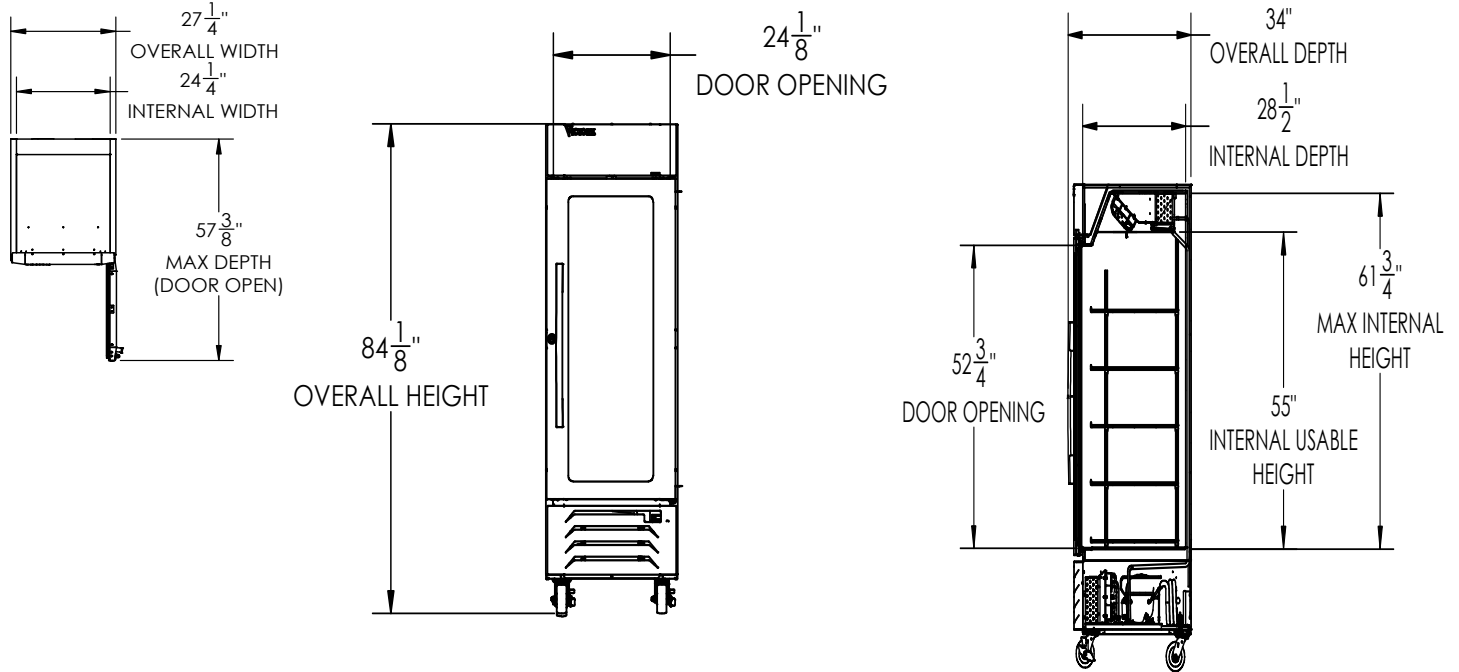
3779 Champion Blvd, Winston-Salem, NC 27105

ph: (888) 845-9800 | fax: (800) 253-5168

Sales@VictoryRefrigeration.com | VictoryRefrigeration.com

Rev. 7/1/24 Printed in the U.S.A.

APPROVAL: \_\_\_\_\_ DATE: \_\_\_\_\_



We reserve the right to change specifications and product design without notice. Such revisions do not entitle the buyer to corresponding changes, improvements, additions or replacements for previously purchased equipment. Dimensional tolerances +/- 1/4". Metric dimensions (MM)

12" Top, 6" Bottom, 3" Sides & 3" Rear clearance is required

CHARACTERISTICS		ELECTRICAL DATA		SHIPPING DETAILS	
Net Capacity (cubic ft.)	23.32	Cabinet Voltage	115/60/1	Height	85"
Width, Overall (in.)	27 1/4"	Total Amperes	6.34	Width	30"
Depth, Overall (with handle)	34"	NEMA Plug (8' cord)	5-15P	Depth	37"
Height Overall (with casters)	84 1/8"	<b>REFRIGERATION DATA</b>		Crated Weight	396 lbs
Depth, Door Open 90°	57 3/8"	Condensing Unit Size, HP	3/4	*NOTE: Remote units are field wired and come with 6" legs. Refrigerant must be specified at time of order.	
Door Opening (in.)	24 1/8" x 52 3/4"	Refrigerant	R-290		
No. Of Doors/Shelves	1/5	Capacity (BTU/HR) (100°F/-20°F)	2097		
		Heat Rejection (BTU/HR)	3145		
		Charge (lbs/grams/ounces)	0.2094 / 95 / 3.35		

3779 Champion Blvd, Winston-Salem, NC 27105 | ph: (888) 845-9800 | fax: (800) 253-5168

Sales@VictoryRefrigeration.com | VictoryRefrigeration.com

Rev. 7/1/24 Printed in the U.S.A.